

## Victoria Arduino Venus Century 3 Group

### Power Requirements

- Volts: 208-240
- Watts: 1800
- Amp draw: 9
- Receptacle: Nema L6-20



Nema 6-20

### Water Softening Equipment

1. Water Softener Capacity: Single - 4400 gpg
2. Water Softener Capacity: Double - 8800 gpg
3. Water Softener Capacity: Triple - 13200 gpg
4. Water Softener: Automatic - Programmable
5. Water Softener Capacity: Manual - 4400 gpg

Average water consumption of this machine is 6 gallons per day which represents 192 drinks per day at 4oz per drink

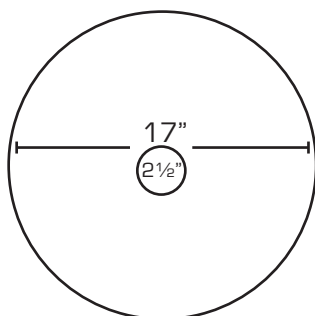
Water Softener/Maintenance Calculation:

Cartridge Grain Capacity	÷	Water Hardness Grains-per-Gallon	=	Gallon Capacity of Cartridge	÷	Gallons Used per Day	=	Days Until Replacement Cartridge
_____	÷	_____	=	_____	÷	_____	=	_____

### Counter-Space Requirements

- 45 inches (height)
- 17 inches (diameter)

Counter-Top



(Front)



I the customer understand that these requirements must be in when the installer arrives. Failure to have the site ready will result in additional service and travel charges, and may cause further delays in installation.

Customer Name: \_\_\_\_\_ Signature: \_\_\_\_\_

Company Name: \_\_\_\_\_

Phone: \_\_\_\_\_ Fax: \_\_\_\_\_ E-mail: \_\_\_\_\_