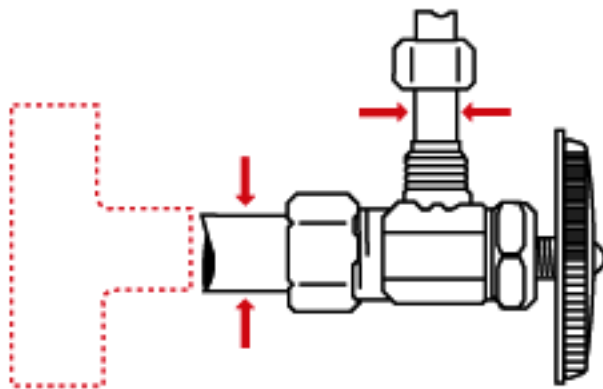


## INSTALLATION REQUIREMENTS

### WATER AND DRAIN REQUIREMENTS:



**Fig. 1 Water Requirements:**

Dedicated shut-off 1/2" to 3/8" elbow compression valve attached to "cold" water line located within 3 ft. of where the machine will rest.

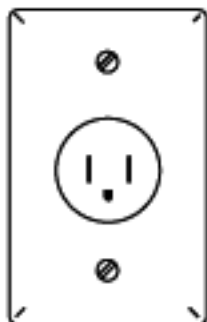
**Fig. 4 Floor Drain:**

1 1/2" to 2" required within 3 ft. of where machine will rest.

### POWER REQUIREMENTS:

Receptacle to be located within 3 ft. where machine will rest.

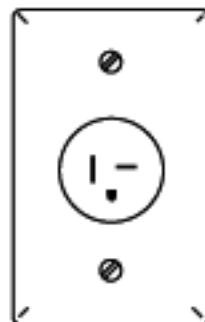
**Fig. 5**



**115V 15A 1 Phase**

**For:**  
1 group machine  
coffee grinder

**Plug type: Nema 5-15**



**220V 20A 1 Phase**

**For:**  
2 group machine

**Plug type: Nema 6-20**



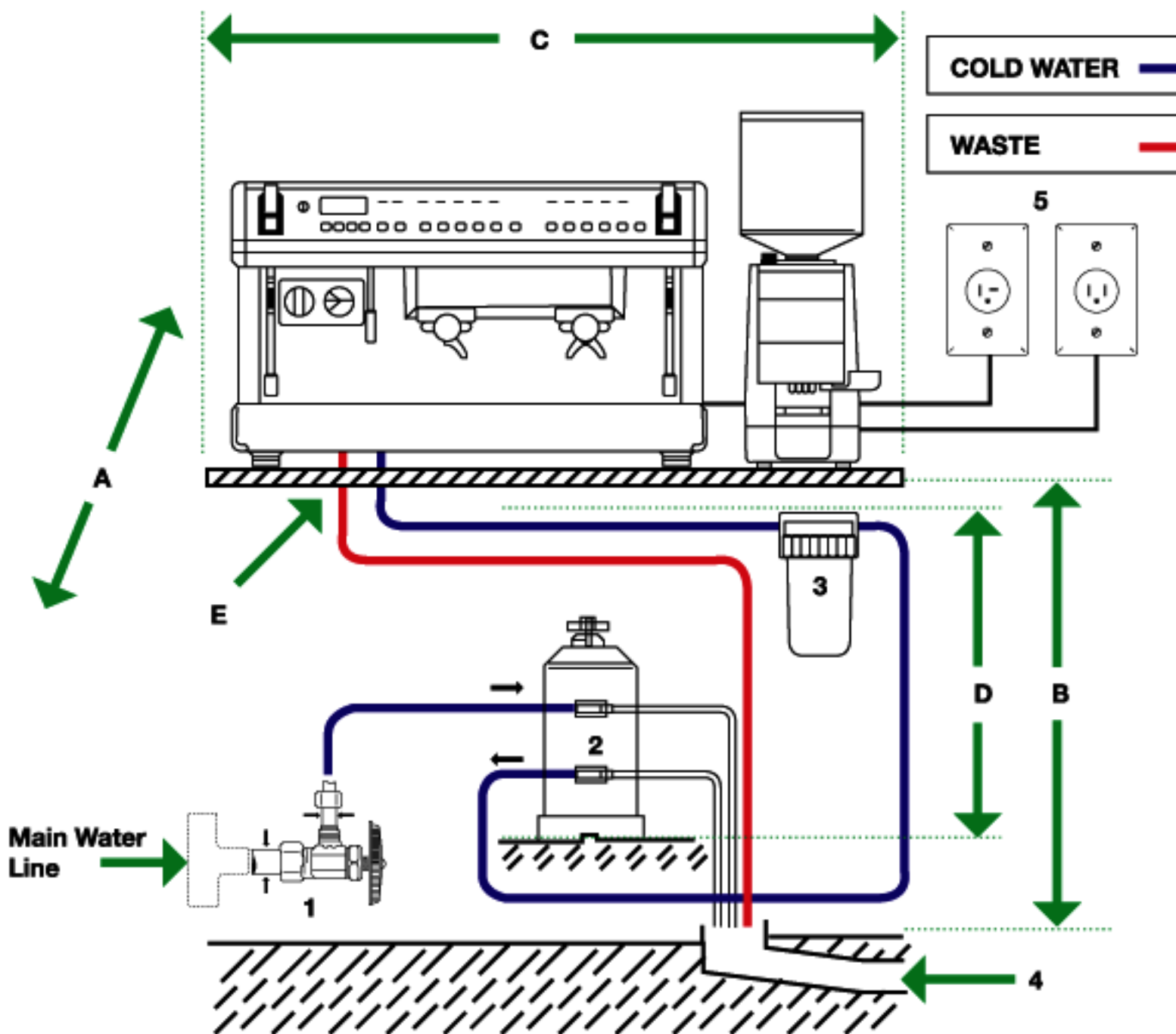
**220V 30 A 1 Phase**

**For:**  
3 & 4 group machine

**Plug type: Nema L6-30**

## COUNTER SPACE REQUIREMENT:

- Counter Depth: A = 24" minimum  
Counter Height: B = 36" minimum  
Counter Width: C = According to machine size plus grinder  
Filters Space: D = H 24" x W 24" x D 24"  
Counter Hole: E = 1 1/2" to 2" (for Drain & Water line)



- Fig. 1 = Water connection - see detail on next page  
2 = Water softener - mandatory  
3 = Water filter optional  
4 = Floor drain - 1 1/2" to 2" required  
5 = Power connection - see detail on next page